

SolarVu® Tutorial

Introducing SolarVu® Features

What is SolarVu?

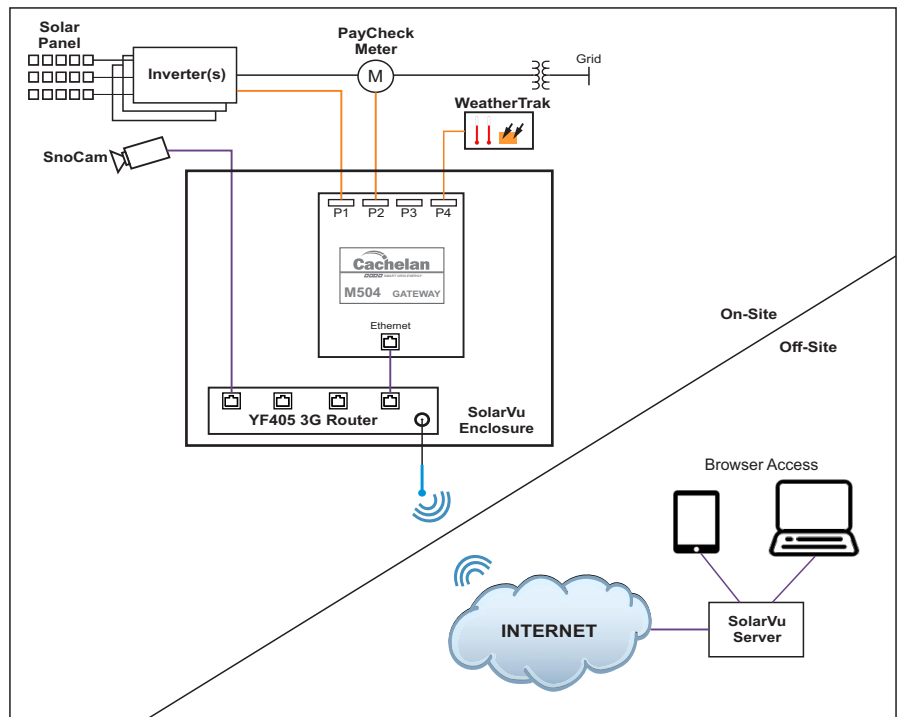
SolarVu® is a web energy portal that continuously monitors solar system performance displaying power, energy, revenue, status and trends on a PC or mobile device. SolarVu® can be installed on systems of any size from a small 10kW roof to large 10MW ground array solar farms. It works with inverters and equipment from many different vendors using a single, consistent interface. SolarVu® continuously monitors equipment and runs analytics to send alarm messages with diagnostic logs as soon as problems occur. Remotely view live inverter measurements to speed up troubleshooting. Create customized reports using lifetime stored data for asset management. Compare the variance of actual output to PVsyst design for bankable analysis when buying or selling systems. Calculate carbon tax offset and learn about energy equivalents.

How does SolarVu work?

The SolarVu enclosure needs to be installed at the site and communication cables must be connected to the inverters, meter, WeatherTrak etc. After connection, when power is applied, the SolarVu gateway (datalogger) will continuously collect data from the connected equipment. Every 10 minutes, the datalogger will send the data through the internet to the SolarVu servers. Data is stored for the lifetime of the system. Access the site SolarVu portal from a browser for displays or status and historic graphs. SolarVu runs analytics and compares parameters to stored setpoints to detect any problems at the site from the received data. Alarms are sent by email to maintenance staff and an output report sent each night from emails entered in SETUP.

For maintenance troubleshooting 30 day inverter and meter logs are available. Graphs for any time period can be accessed to study performance. Data can also be downloaded in CSV format for custom spreadsheet analysis.

Descriptions of the standard SolarVu portal features and options can be accessed from the links and video tours below. Each feature can be viewed on a live site to how the feature works.



Start with a video tour of the main features in SolarVu followed by a video on the SMART Enterprise account for portfolio management. View videos on other options of interest to see how they are used in more detail.

▶ **SolarVu Tour** www.solarvu.net/link-solarvutour

SolarVu walkthrough video covers Inverter Status, PayCheck, WeatherTrak, SnoCam features

▶ **SMART Enterprise** www.solarvu.net/link-smarterprise

Video describing the System Management And Reporting Tool for portfolio management which is available for all owners of multiple SolarVu sites.

▶ **Equipment Log** www.solarvu.net/link-equipmentlog

How to use view historic data for trouble shooting & analysis

▶ **PowerWatch** www.solarvu.net/link-powerwatch-tour

How to use PowerWatch to low performance string inverters

▶ **WeatherTrak** www.solarvu.net/link-weathertrak

How to use WeatherTrak to detect on-site irradiance and estimate expected generation

▶ **SmartString** www.solarvu.net/link-smartstrings

How to use SmartString to find bad strings typically when using central inverter

Click on the icon for each feature for a description of how it works and live site links www.solarvu.net/link-solarvu-features

Download a printable [SolarVu brochure](#) with links to live sites. For additional help and questions, send an email to contactus@cachelan.com